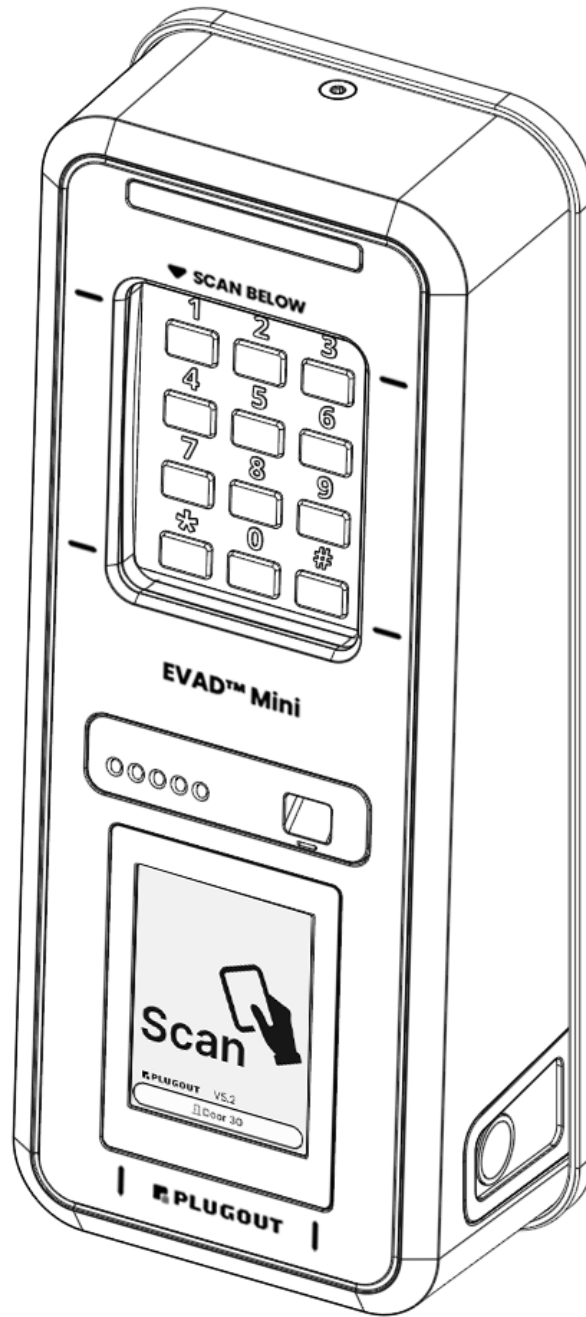


Installation Manual

Version D13.6

EVAD™ Mini





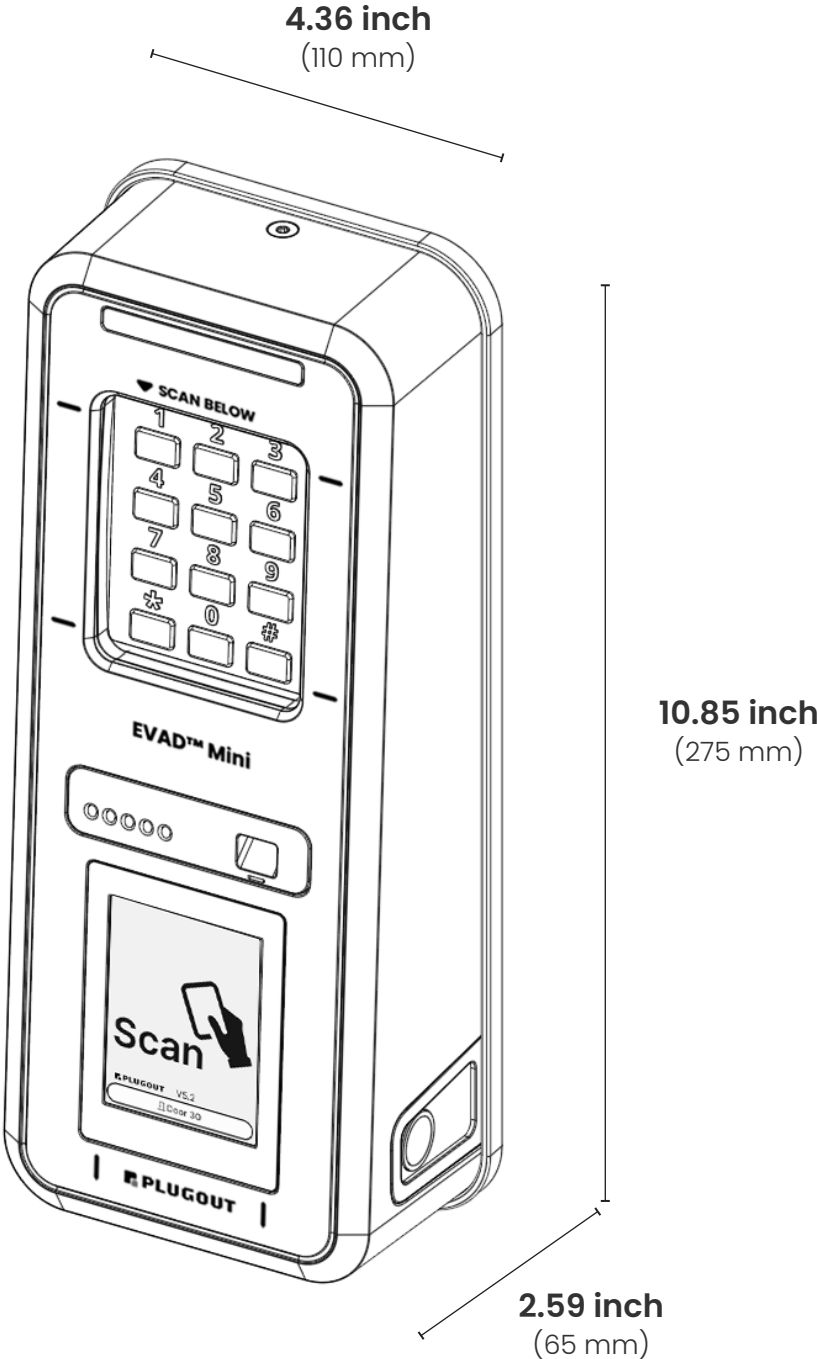
Content

Overall Dimensions	3
What's in the Box	4
Mounting Height	5
Hole Pattern	6
Installing the Wall Bracket	7
Warning!	8
Closing the Unit	9
Calibration	10
Door Name	11
Connection Diagram	12



Overall Dimensions

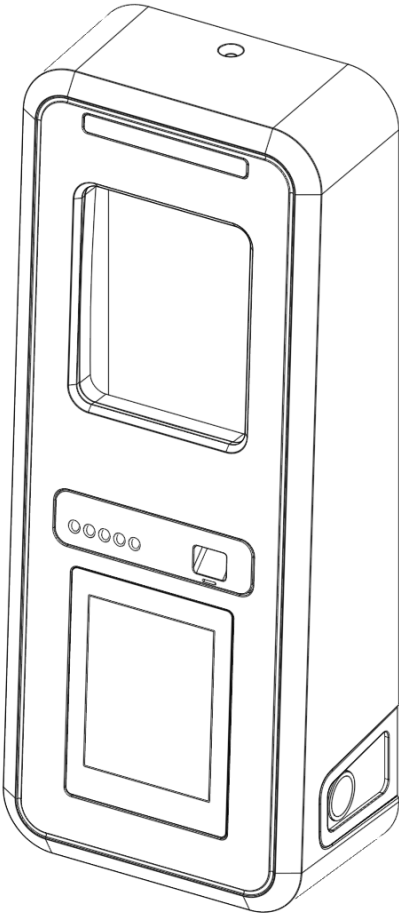
Version D13.6



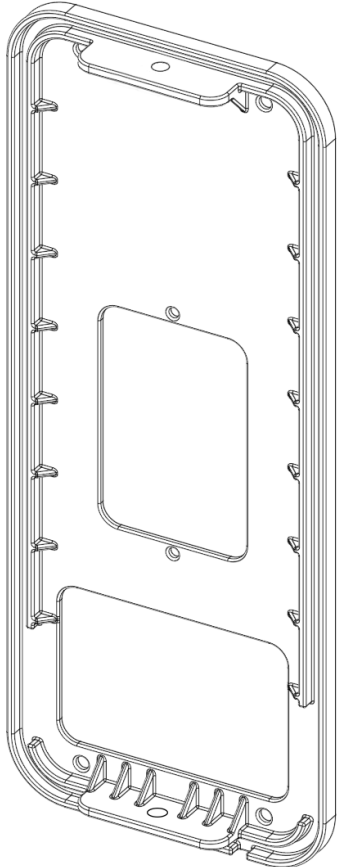
What's in the Box

The reader will be pre-installed as per order.

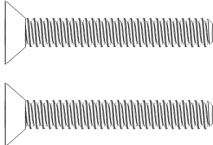
1X Front Housing



1X Wall Bracket



2X 1" Long 6-32
Flat Head Torx

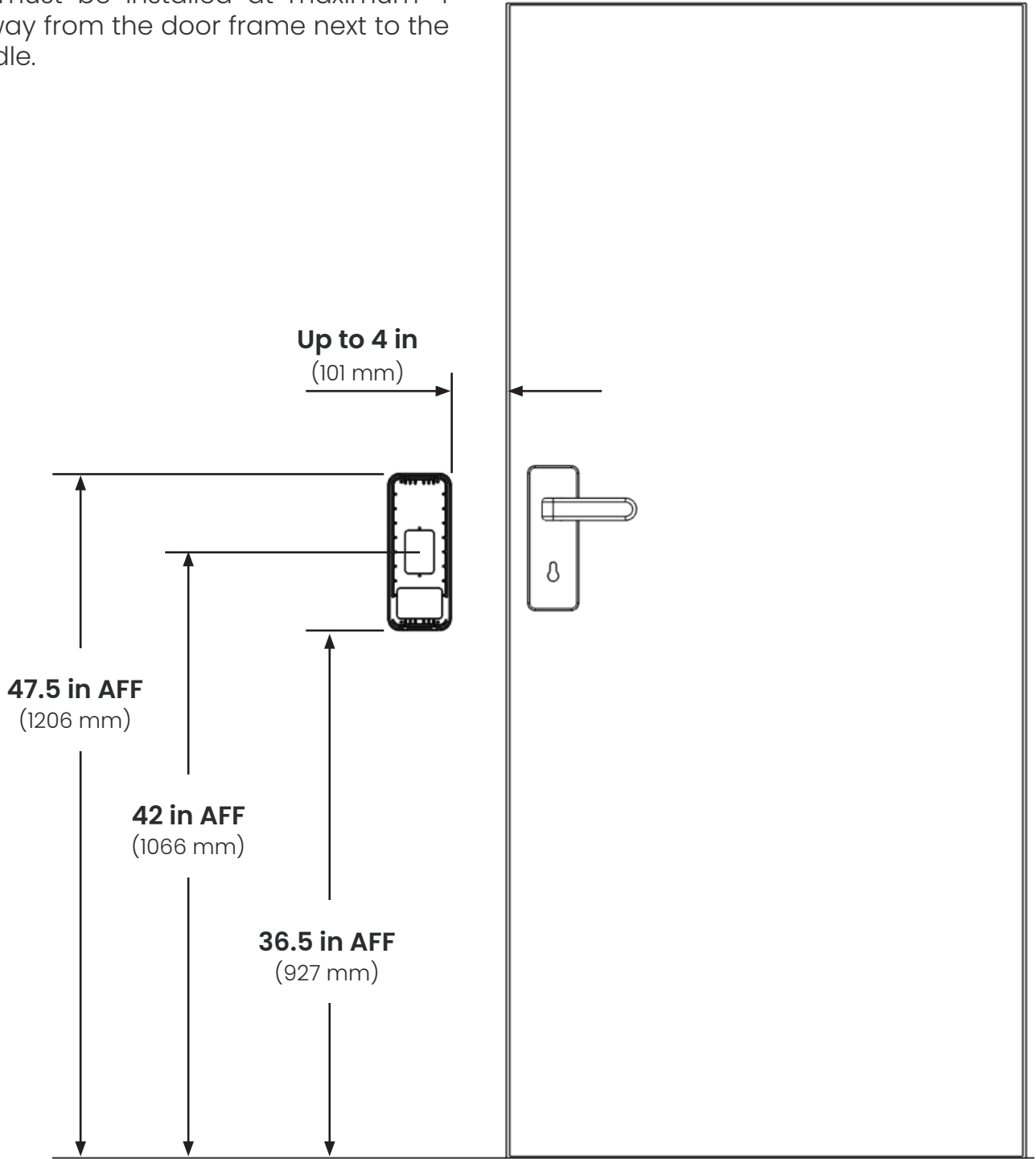




Mounting Height

The electrical box is 42 inches away from floor and the reader will be at 45.5 inches away from floor.

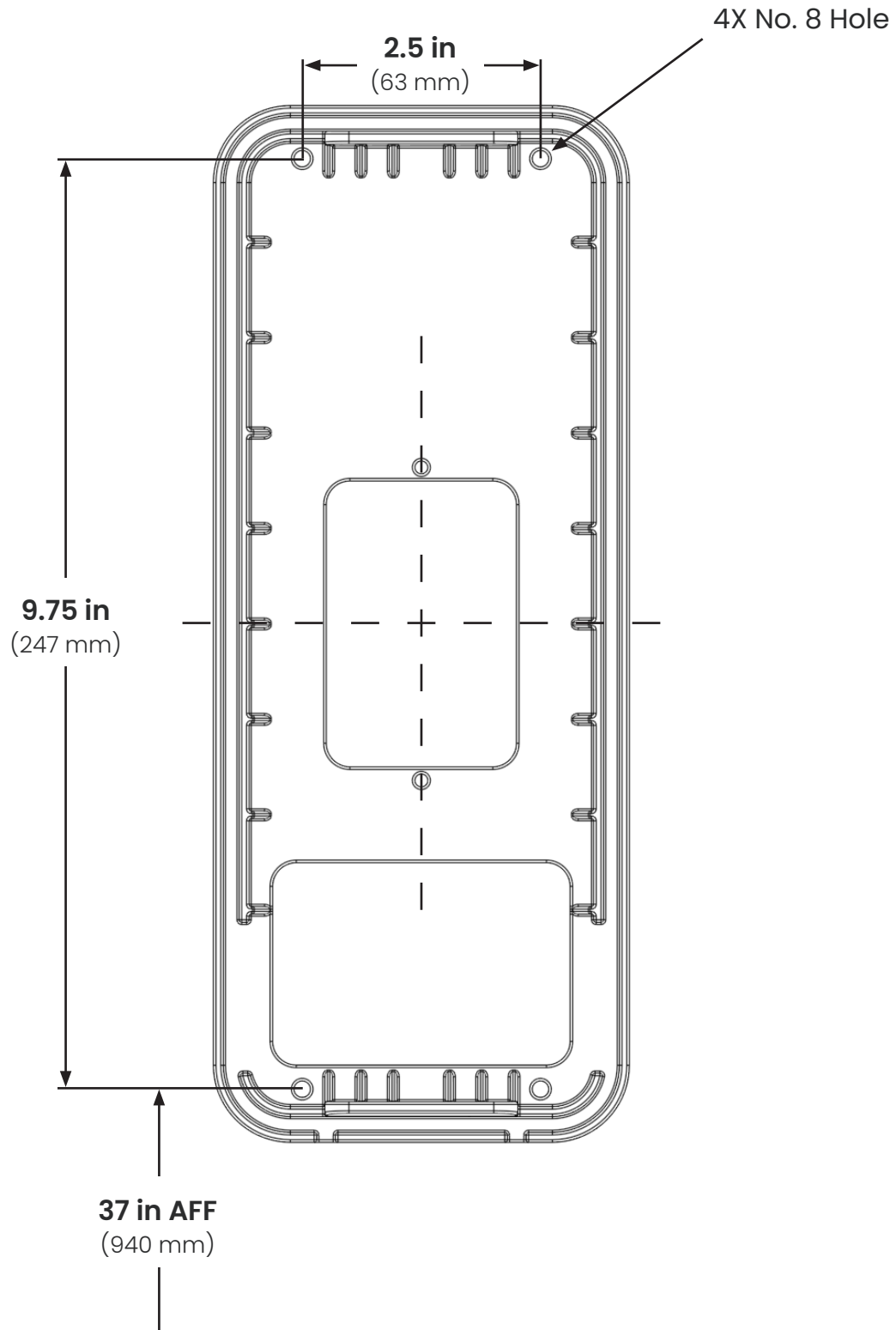
The unit must be installed at maximum 4 inches away from the door frame next to the door handle.



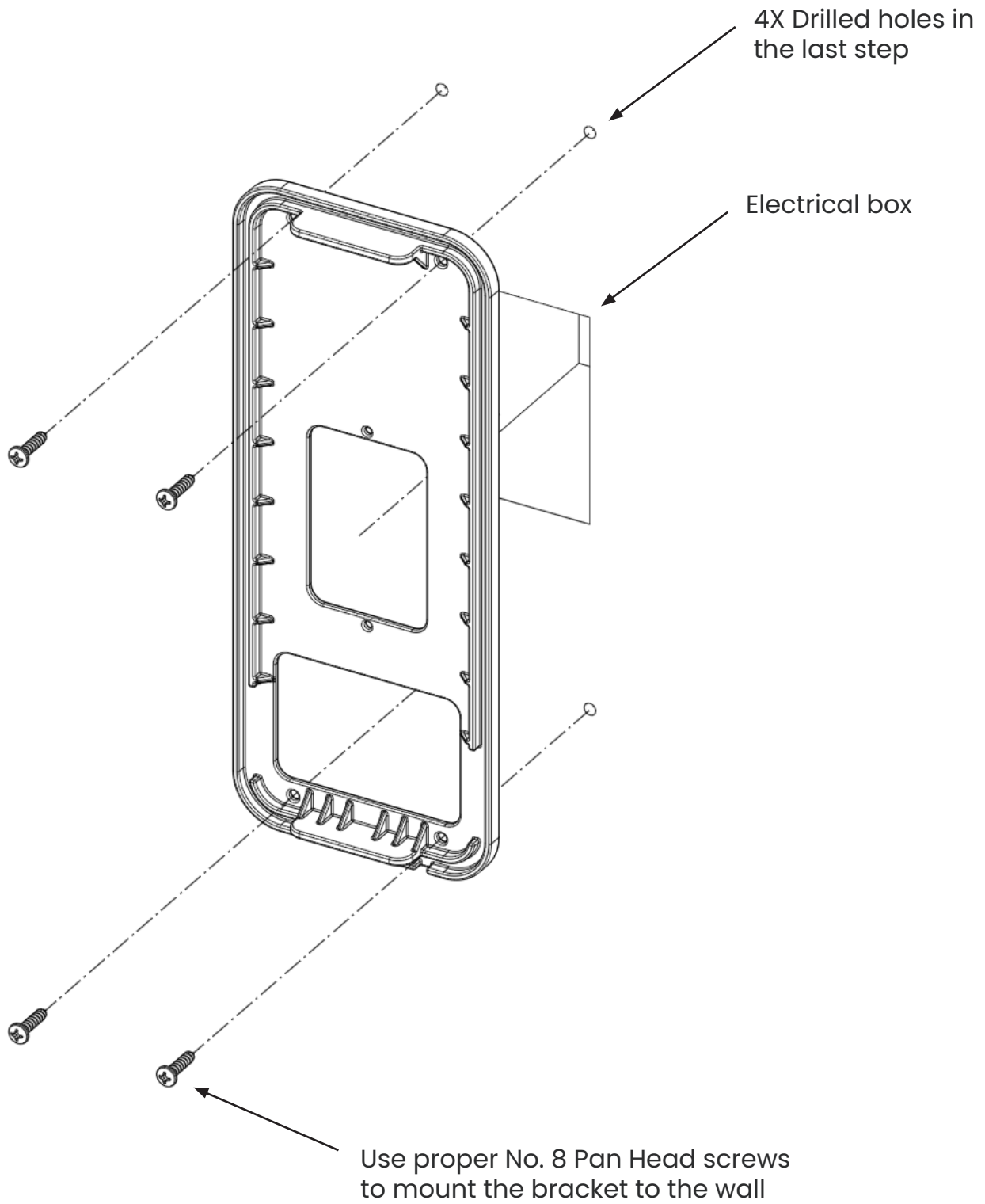


Hole Pattern

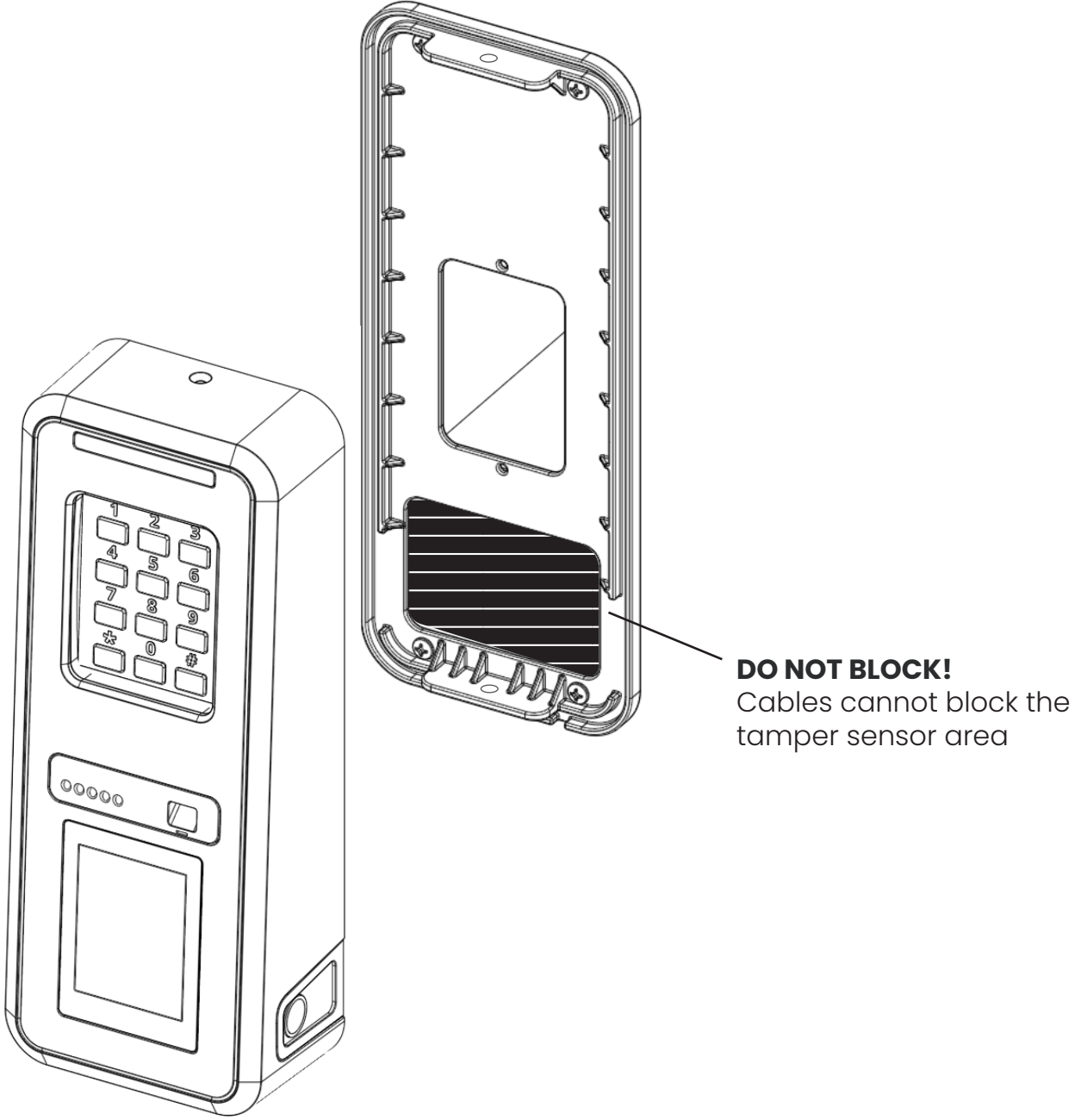
The mounting holes are centered around the electrical box.



Installing the Wall Bracket



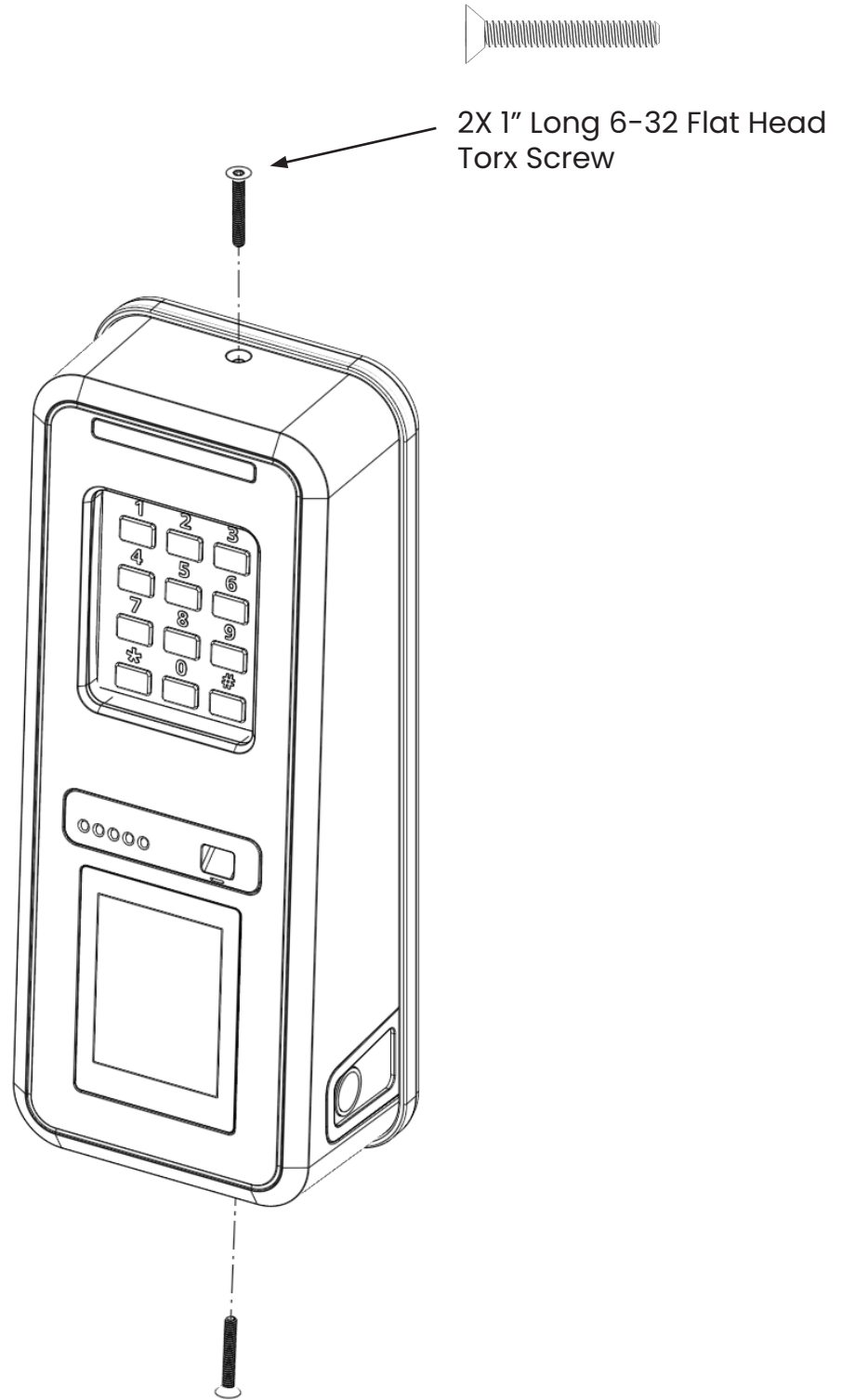
Warning!



NOTE: The reader in the drawing is for presentation purposes only. All compatible reader types follow this document.

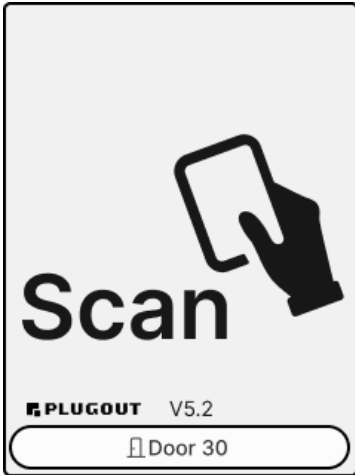


Closing the Unit



Calibration

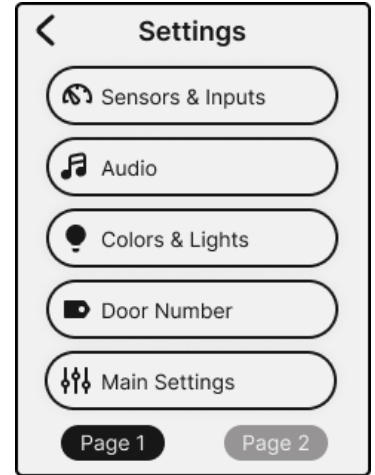
Follow the instruction below to calibrate your unit after installation.



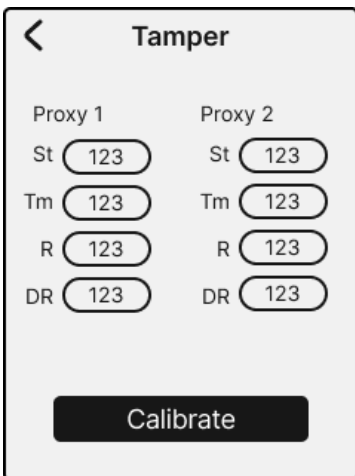
1- Touch and hold the screen until the number pad opens.



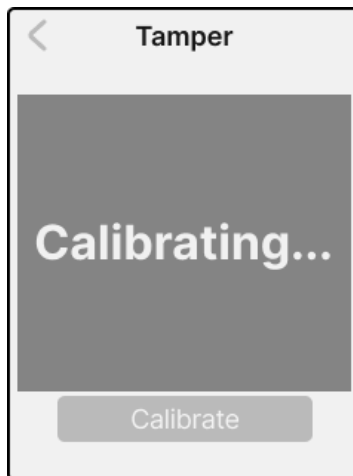
2- Enter the code "1098" and click **Enter**. Remember to change the password later.



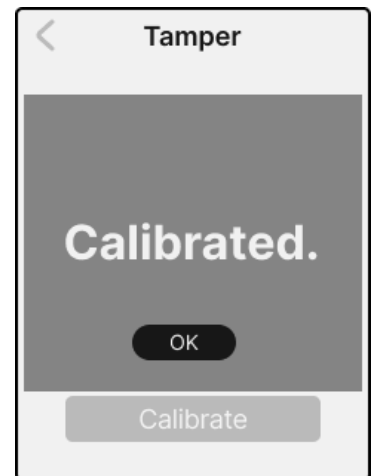
3- Click on the **Sensors & Inputs** button.



4- Click on **Calibrate**.



5- While calibrating, do not touch the unit and wait a few seconds until it's completed.

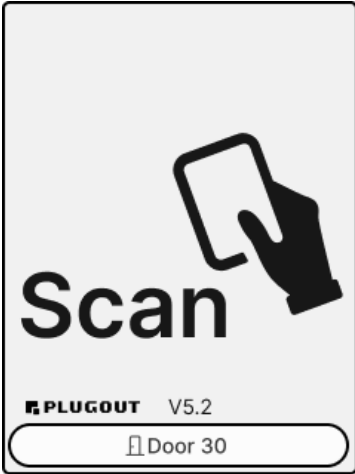


6- When calibration is finished, click **OK**.



Door Name

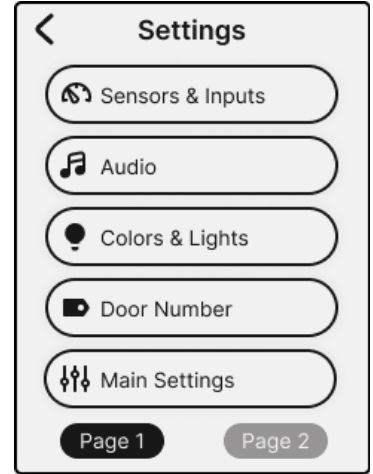
Change the Door tag on the main screen following the instructions below.



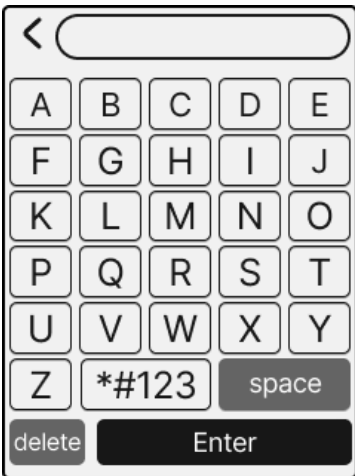
1- Touch and hold the screen until the number pad opens.



2- Enter the code "1098" and click **Enter**. Remember to change the password later.



3- Click on **Door Number** button.



4- Enter the door number and hit **Enter**.

Connection Diagram

Board Version 5.5

